

Horizontal Grill mod GHPI **R2/800**

Dimensions:

31,6" (L) x 33,3" (A) x 35,4" (P)

Weight: 452lb

Electric Data:

Amp - 1,5 A
Voltage - 120V

Propane gas

Pressure - 9,8 in wc
Consumption - 80.000 BTU/hr

Natural gas

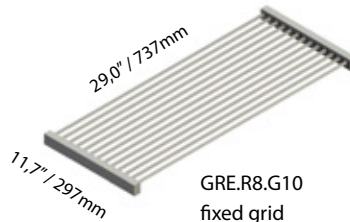
Pressure - 4,5 in wc
Consumption - 88.000 BTU/hr



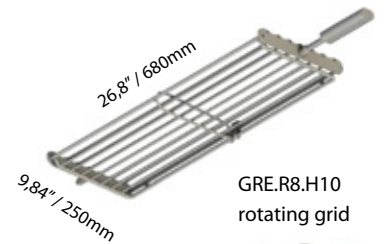
scraper



Includes fixed grid and rotating grid



GRE.R8.G10
fixed grid



GRE.R8.H10
rotating grid



GRE.R8.I10
cylindrical grid

26,8" / 680mm

ø diam 9,84" / 250mm



GRE.R8.M10
meat spit

26,8" / 680mm

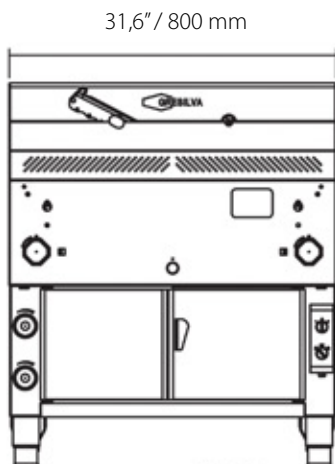


GRE.R8.L10
sucking pork
roasting spit

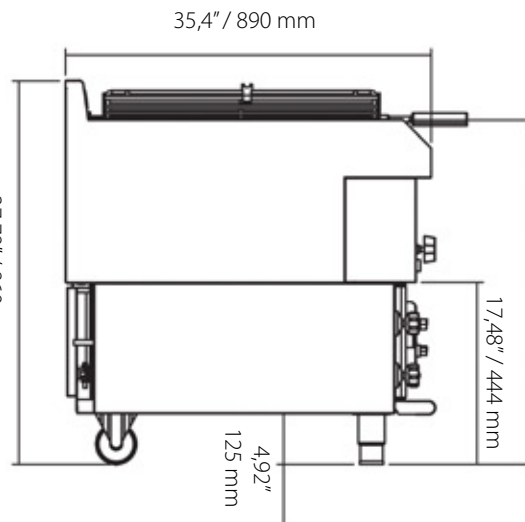
26,8" / 680mm



GRE.R8.S10
Support for grids



31,6" / 800 mm

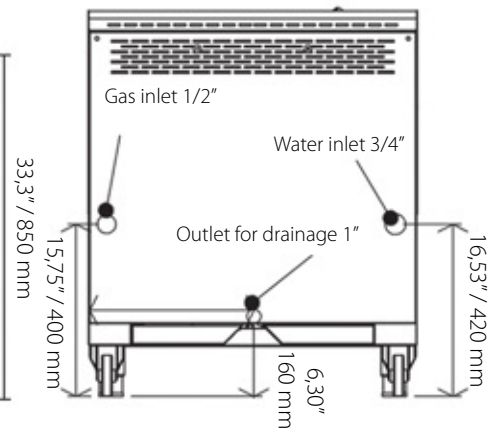


35,4" / 890 mm

37,79" / 960 mm

17,48" / 444 mm

4,92" / 125 mm



33,3" / 850 mm

16,53" / 420 mm

Gas inlet 1/2"

Water inlet 3/4"

Outlet for drainage 1"

15,75" / 400 mm

6,30" / 160 mm



Note: with connection device to the water inlet and the outlet to the grease box