

GARDENGRILL

Horizontal Grill mod GHPI **B2/5**

Dimensions:

1042mm (l) x 1180mm (a) x 807mm (p)

Grilling Area: 586mm x 618mm

Weight: 145 kg

Weight with coverage: 180 kg

Thermal Flow: 14,4 kw

Type: A

Category: II_{2H3+}

Butane gas

Pressure - 28-30 mbar

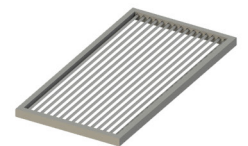
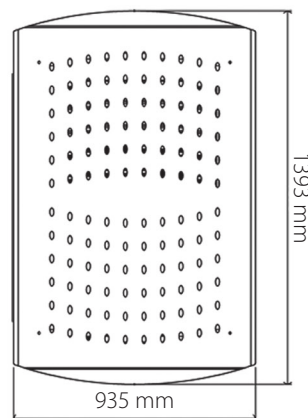
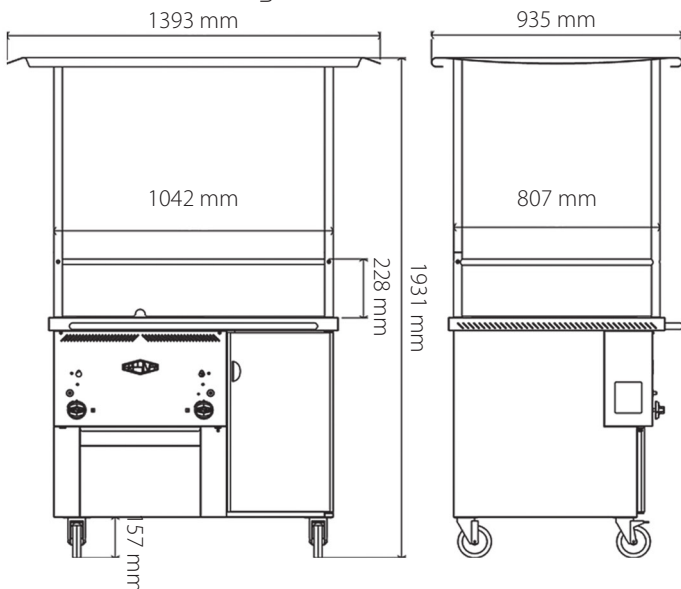
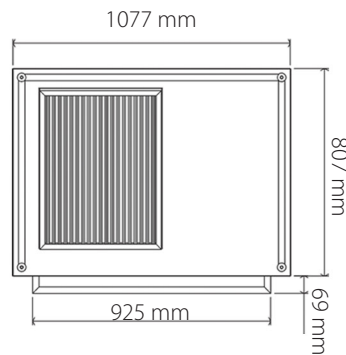
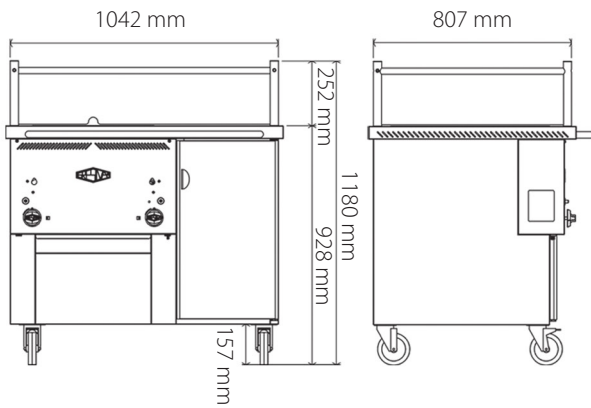
Consumption- 1,1 kg/h

Propane gas

Pressure - 37 mbar

Consumption - 1,1 kg/h

Gas inlet 1/2" inside lateral door



GRE.H5.G10
grid